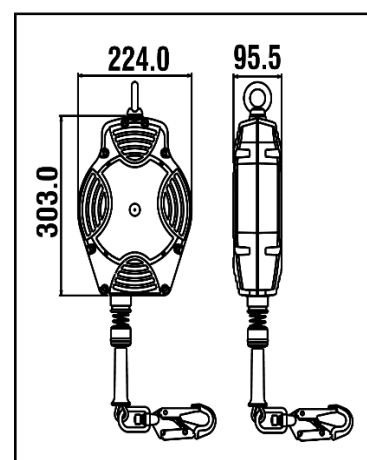


# Melixon



<b>HS CODE</b>
84798997
<b>CARTON SIZE / PCS.</b>
60 x 40 x 24 cm / 2
FA 20 402 15B : AET N°2777/10833-02/E01-02 FA 20 402 20/20S : AET N°2777/10833-02/E01-02
<b>Satra Technology Europe Ltd., N° 2777,</b> Bracetown Business Park, Clonee, Dublin, D15YN2P, Ireland
<b>MODULE D FI14/14003.01</b>
<b>SGS Fimko Oy, N°0598</b> Takomotie 8, 00380 HELSINKI, Finland
<b>AET (UKCA) N°AB0321/16068-01/E02-01</b>
<b>Satra Technology Centre, N°0321</b> Wyndham Way, Telford Way, Kettering Northamptonshire, NN16 8SD, United Kingdom
<b>MODULE D 11 IN14/14003</b>
<b>SGS United Kingdom Ltd., N°0120</b> Unit 202B, Worle Parkway, Weston-super-Mare, BS22 6WA, United Kingdom
<b>ACKNOWLEDGEMENT OF RECEIPT N°3975/1/2018 (ATEX)</b>
<b>Technická Inšpekcia, a.s. N°1354</b> Trnavská cesta 56, 821 01 Bratislava, Slovenská Republika

REF.	FA 20 402 15B   FA 20 402 20	FA 20 402 20S
LG.  KG	15 m   20 m	20 m
	EN 360:2002	EN 360:2002
MAT. 	Polyamide 6 - 30% fiber glass	Polyamide 6 - 30% fiber glass
	 STEEL $\varnothing$ 4.5 mm FA 50 225 23B / FA 50 203 20 with fall indicator	 INOX $\varnothing$ 4.5 mm FA 50 225 23B / stainless steel connector with fall indicator
 360°	x2	x2
R(kN)	12 kN	12 kN
	NO	NO
+	 II 2 Exh IIC T6 Gb EN 360 §4.6 (endurance test)	 II 2 Exh IIC T6 Gb EN 360 §4.6 (endurance test)
	7.49 KG   7.70 KG	7.70 KG

LG.  KG <b>Longueur</b> Poids maxi utilisateur <b>Length</b> Max. user weight <b>Longitud</b> Peso máximo del usuario <b>Lunghezza</b> Peso Max. dell'utente <b>Länge</b> Höchstgewicht des Benutzers	MAT.  <b>Matière carter / câble</b> Material of casing / wire rope <b>Material cárter / cable</b> Material dei carter / cavo <b>Material Gehäuse / Seil</b>	 <b>Matière connecteur haut / connecteur bas</b> Material of top connector / bottom connector <b>Material conector alto / conector bajo</b> Materiale connettore alto / connettore basso <b>Material oberes / unteres Verbindungselement</b>
 360° <b>Nombre d'émerillons</b> Number of swivels <b>Cantidad de eslabones giratorios</b> Numero di tornichetti <b>Anzahl der Wirbel</b>	 <b>Homologué pour le travail à proximité d'arêtes vives</b> Approved for work near sharp edges <b>Homologado para trabajo cerca de aristas vivas</b> Omologato per lavoro in prossimità di spigoli vivi <b>Zugelassen für Arbeiten in der Nähe scharfer Kanten</b>	