

# ACCESS RING

CONNECTION RING

Ref. 2046 - 204601

ROPE ACCESS, TREE CLIMBING

Aluminum alloy connection ring that is useful for the connection of various fall arrest components and can be inserted into the mobile bridge system of the Tree Access series harnesses.

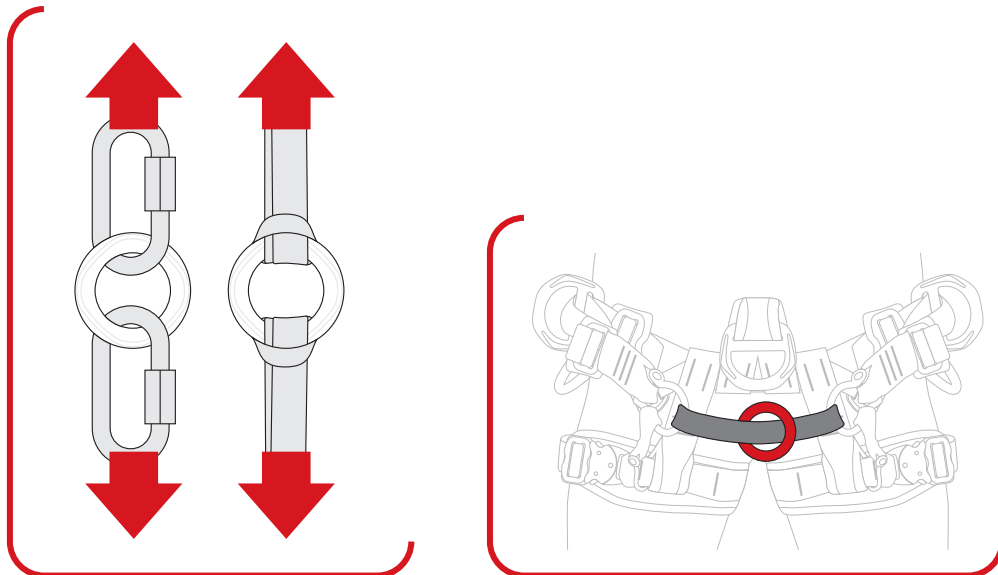
Available in two color-coded sizes with different diameters.



2046



204601



| Ref.   | Product name      | Weight |     | Diameter<br>mm    | Strength<br>kN | CE | ANSI    |
|--------|-------------------|--------|-----|-------------------|----------------|----|---------|
|        |                   | g      | oz  |                   |                |    | Z359.12 |
| 2046   | ACCESS RING 34 mm | 34     | 1.2 | Int. 34 - Ext. 54 | 24             | •  |         |
| 204601 | ACCESS RING 45 mm | 59     | 2.1 | Int. 45 - Ext. 69 | 30             | •  | •       |