

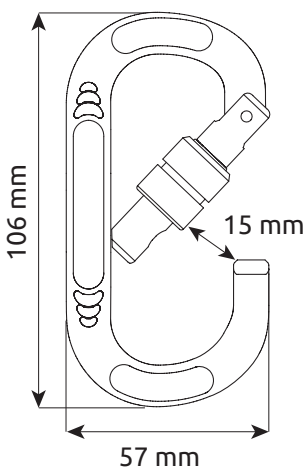
OVAL COMPACT LOCK

CARABINER

Ref. 1115

TOWERS/INDUSTRY, CONSTRUCTION, ROOFS, SELF RESCUE

A compact aluminum alloy carabiner with an exceptional strength to weight ratio. Keylock closure prevents snagging during use. Screw gate locking system.



Ref.	Product name	Weight									CE		EAC	ANSI	
		g	oz								EN 12275	EN 362			
1115	OVAL COMPACT LOCK	71	2.5	24	10	7	15	106	57	X	B	•	Z359.12	Z259.12	