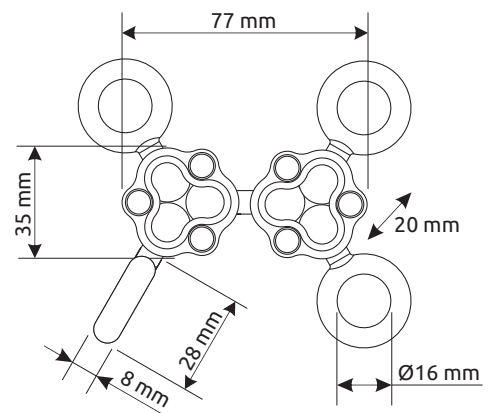
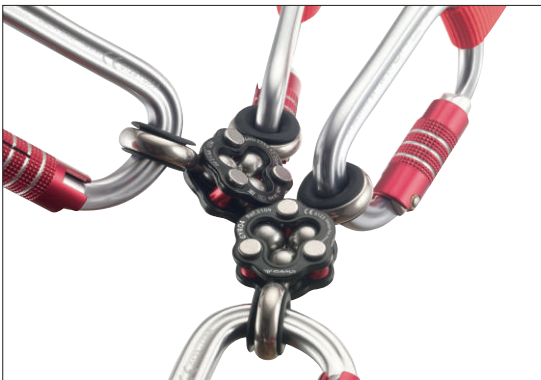


The Gyro1 delivers maximum freedom of movement in a compact size with a robust design.

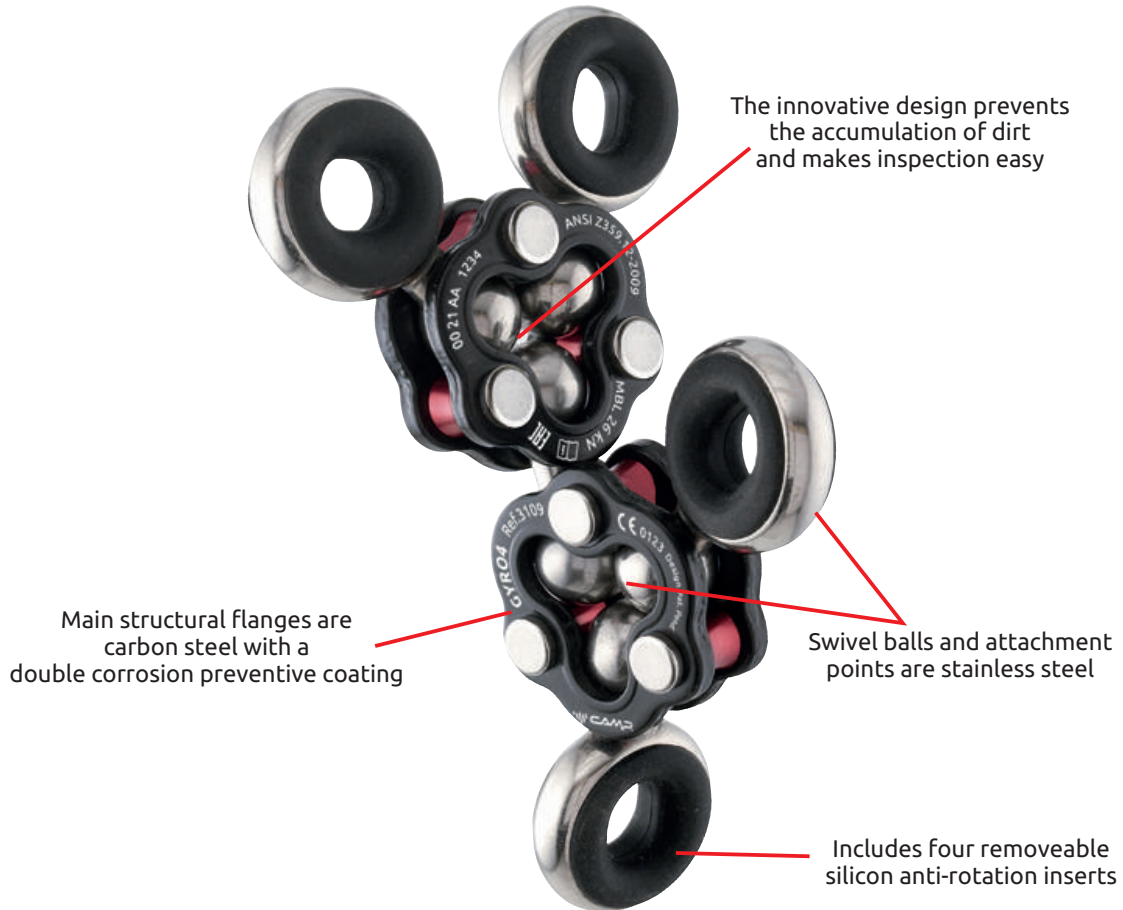
The ball connection allows for both rotation and tilting between the two rings in all directions. The size and shape are more compact than other swiveling products on the market. The innovative design also prevents the accumulation of dirt and makes inspection easy. Main structure is carbon steel with a double corrosion preventive coating. Two attachment points, one in aluminum alloy and the other in stainless steel.

Includes two removeable silicon anti-rotation inserts.

Working load limit: 3 kN. Minimum breaking strength: 25 kN.



Ref.	Product name	Weight		Strength	Working load Max	Hole diameter	CE	ANSI	EN
		g	oz	kN	kg	mm			
3109	GYRO4	265	9.4	26	300	4 x Ø16	PPE-R/11.135	Z359.12	•



## GYRO ANTI-ROTATION INSERTS

3268 kit 10 pcs

Spare silicon anti-rotation inserts, compatible with all Gyro swiveling devices. Package of 10 pcs.



Ref.	Product name	Weight	
		g	oz
3268	GYRO ANTI-ROTATION INSERTS KIT 10 PCS	2 (1 pcs)	0.1 (1pcs)

# GYRO4

ROTATING SWIVEL

Ref. 3109

TEAM RESCUE, ROPE ACCESS, TREE CLIMBING, CONFINED

