



# TOWER-TOWER22-TOWERA2

MANUALE D'USO E DI INSTALLAZIONE pag 5

AUFBAU - UND VERWENDUNGSANLEITUNG S. 13

MANUAL FOR INSTALLATION AND USE pag 21

MANUEL D'UTILISATION ET DE MISE EN PLACE pag 29

MANUAL DE USO Y INSTALACIÓN pág 37

MANUAL DE USO E DE INSTALAÇÃO pag 45

РУКОВОДСТВО ПО УСТАНОВКЕ И ЭКСПЛУАТАЦИИ стр 53

## ATTENZIONE - ACHTUNG - ATTENTION - ATTENTION! - ATENCIÓN - ATENÇÃO - ВНИМАНИЕ

- IT** Il montaggio e l'utilizzo del dispositivo di sicurezza è consentito soltanto dopo che il montatore e l'utilizzatore hanno letto le istruzioni di montaggio e d'uso originali nella lingua del proprio Paese. Nel caso queste non fossero presenti, prego contattare il proprio agente di zona o inviare una richiesta a [fallprotection@rothoblaas.com](mailto:fallprotection@rothoblaas.com).
- DE** Die Montage und die Verwendung der Sicherungseinrichtung ist erst zulässig, nachdem der Monteur und der Anwender die Original Aufbau- und Verwendungsanleitung in der jeweiligen Landessprache gelesen hat. Sollten diese nicht vorhanden sein, bitte den für das Gebiet zuständigen Agenten kontaktieren oder eine Anforderung an [fallprotection@rothoblaas.com](mailto:fallprotection@rothoblaas.com) senden.
- EN** The assembly and use of the safety device is allowed only once the assembler and the user have read the original assembly and user instructions in their own native language. Should they not be available in that particular language, the assembler and user are invited to contact their local agent or send their request to [fallprotection@rothoblaas.com](mailto:fallprotection@rothoblaas.com).
- FR** Le montage et l'utilisation du dispositif de sécurité ne sont autorisés qu'après lecture par le monteur et par l'utilisateur de la notice d'origine de montage et d'utilisation dans la langue du pays concerné. En cas d'absence de ces instructions, veuillez s'il vous plaît contacter votre agent de zone ou vous adresser à [fallprotection@rothoblaas.com](mailto:fallprotection@rothoblaas.com).
- ES** No está permitido montar ni usar el dispositivo de protección antes de que el montador y el usuario hayan leído las instrucciones de montaje y uso originales en la lengua del respectivo país. En caso de que las mismas no estén presentes, se ruega dirigirse al propio agente de zona o enviar una solicitud a [fallprotection@rothoblaas.com](mailto:fallprotection@rothoblaas.com).
- PT** A montagem e o uso do dispositivo de fixação apenas é permitido depois de o técnico de montagem e o utilizador terem lido as Instruções de montagem e uso genuínas nas suas respectivas língua nacionais. Se eles não estiverem presentes, contactar, por favor, o próprio agente de zona ou enviar um pedido a [fallprotection@rothoblaas.com](mailto:fallprotection@rothoblaas.com).
- CS** Montáž a použití bezpečnostního zařízení se povoluje až poté, co si montér a uživatel přečtou návod k montáži a použití v jazyce své Země. V případě, že by nebyly přítomny, obraťte se, prosím, na svého obchodního zástupce pro danou zónu nebo zašlete žádost na adresu [fallprotection@rothoblaas.com](mailto:fallprotection@rothoblaas.com).
- PL** Montaż i obsługa urządzenia ochronnego jest dozwolone tylko wówczas, jeśli instalator oraz użytkownik przeczytali oryginalne instrukcje obsługi w języku ojczystym. W razie braku takich instrukcji należy skontaktować się z lokalnym przedstawicielem lub wysłać zapytanie na adres [fallprotection@rothoblaas.com](mailto:fallprotection@rothoblaas.com).
- SK** Montáž a použitie bezpečnostného zariadenia je dovolené len potom, ako si montér a užívateľ prečítali návod na montáž a použitie v jazyku svojej Krajiny. V prípade, ak by nebol prítomný, obráťte sa, prosím, na svojho obchodného zástupcu pre danú zónu alebo zašlite žiadosť na adresu [fallprotection@rothoblaas.com](mailto:fallprotection@rothoblaas.com).
- SV** Installationen och användningen av säkerhetsanordningen är endast tillåten efter att installatören och användaren har läst igenom instruktionerna för installation och användning på det språk som används i landet. Om dessa inte finns tillgängliga, kontakta din lokala återförsäljare eller skicka en förfrågan till [fallprotection@rothoblaas.com](mailto:fallprotection@rothoblaas.com).
- SL** Montaža in uporaba varovalnega sredstva sta dovoljeni šele potem, ko sta monter in uporabnik tega sredstva prebrala originalna navodila za montažo in uporabo v svojem jeziku. V primeru, da ta navodila niso priložena, se prosimo obrnite na zastopnika za vaše območje ali pošljite zahtevo na [fallprotection@rothoblaas.com](mailto:fallprotection@rothoblaas.com).
- HU** A biztonságai szerkezetek összeszerelése és használatá csak azután megengedett, hogy az összeszerelést végző alkalmazott és a használat országuk nyelvén elolvasták a szerelési és használati utasításokat. Amennyiben beszélt nyelvük nem található a kiadványban, kérjük, vegye fel a kapcsolatot területi képviselőjével vagy küldje el kérését a következő címre [fallprotection@rothoblaas.com](mailto:fallprotection@rothoblaas.com).
- HR** Montaža i uporaba sigurnosnog uređaja može se izvršiti samo nakon što su monter i korisnik pročitali originalne upute za montažu i uporabu na jeziku svoje zemlje. Ukoliko istih nema, molimo da kontaktirate agenta na vašem području ili pošaljite zahtjev na [fallprotection@rothoblaas.com](mailto:fallprotection@rothoblaas.com).

## ATTENZIONE - ACHTUNG - ATTENTION - ATTENTION! - ATENCIÓN - ATENÇÃO - ВНИМАНИЕ

- RO** Asamblarea și utilizarea dispozitivelor de siguranță este permisă numai după ce montorul și utilizatorul au citit instrucțiunile de montaj și utilizare în limba lor maternă. Dacă acestea nu sunt disponibile în limba respectivă, montorul și utilizatorul sunt invitați să contacteze agentul lor local sau să trimită o solicitare la [fallprotection@rothoblaas.com](mailto:fallprotection@rothoblaas.com).
- NL** De montage en het gebruik van de veiligheidsvoorziening is alleen toegestaan als de monteur en de gebruiker de originele instructies voor de montage en het gebruik in de taal van het eigen land gelezen hebben. Mochten deze niet aanwezig zijn, dan wordt u verzocht contact op te nemen met uw plaatselijke agent of een aanvraag naar [fallprotection@rothoblaas.com](mailto:fallprotection@rothoblaas.com) te sturen.
- DA** Montering og brug af sikkerhedsanordningen er kun tilladt efter at montøren og brugeren har læst den originale monterings- og brugervejledning på sit eget lands sprog. I tilfælde hvor disse ikke findes, bedes man kontakte sin lokale agent eller sende en efterspørgsel til [fallprotection@rothoblaas.com](mailto:fallprotection@rothoblaas.com).
- FI** Turvalaitteen asennus ja käyttö on sallittu vasta sen jälkeen, kun asentaja ja käyttäjä ovat lukeeet oman maansa kieliset alkuperäiset asennus- ja käyttöohjeet. Jos tällaisia ohjeita ei ole saatavilla, ota yhteyttä alueen jälleenmyyjään tai lähetä pyyntö osoitteeseen [fallprotection@rothoblaas.com](mailto:fallprotection@rothoblaas.com).
- BG** Монтажът и употребата на устройството за безопасност са позволени само след като монтажистът и потребителят са прочели оригиналното ръководство за монтаж и употреба на техния роден език. Ако такива инструкции не са налични на съответния език, молим, потребителите да се свържат с локалния за тях представител или да изпратят заявка на [fallprotection@rothoblaas.com](mailto:fallprotection@rothoblaas.com).
- EL** Η συναρμολόγηση και η χρήση του συστήματος ασφαλείας επιτρέπεται μόνο μετά την ανάγνωση των γνήσιων οδηγιών συναρμολόγησης και χρήσης από πλευράς συναρμολογητή και χρήστη στην γλώσσα της χώρας του. Στην περίπτωση που αυτές δεν υφίστανται, παρακαλείστε να επικοινωνήσετε με τον αντιπρόσωπο της ζώνης σας ή να αποστείλετε μια αίτηση στην διεύθυνση [fallprotection@rothoblaas.com](mailto:fallprotection@rothoblaas.com).
- LT** Sumontuoti ir naudotis šiuo apsauginiu prietaisu leidžiama tik tuo atveju, jei jį sumontuojantis asmuo ir naudotojas perskaitė surinkimo ir naudojimosi instrukcijas savo gimtąja kalba. Jei šių instrukcijų konkrečia kalba montuotojas ar naudotojas nerastų, visada siūlome kreiptis į vietos agentą ar atsiųsti prašymą el. pašto [fallprotection@rothoblaas.com](mailto:fallprotection@rothoblaas.com).
- ET** Ohutusseadme monteerimine ja kasutamine on lubatud ainult siis, kui monteerija ning kasutaja on lugenud originaal-monteerimis- ja kasutusjuhendit emakeeles. Kui antud keel ei ole saadaval, võivad nad võtta ühendus oma kohaliku agendiga või saata päringu [fallprotection@rothoblaas.com](mailto:fallprotection@rothoblaas.com).
- LV** Drošības ierīces montierim un lietotājam pirms ierīces uzstādīšanas un lietošanas obligāti jāizlasa ierīces montāžas un lietošanas instrukcija savā dzimtajā valodā. Ja instrukcija nav pieejama šajā valodā, tad montierim un lietotājam jāvērsas pie ražotāja vietējā pārstāvja vai jānosūta pieprasījums uz adresi [fallprotection@rothoblaas.com](mailto:fallprotection@rothoblaas.com).
- GA** Caithfidh an cóimeálai agus an t-úsáideoir na treoracha bunaidh cóimeála agus úsáideora a léamh ina dteanga dhúchais féin sula ndéanfaidh siad an gléas sábháilteachta a chóimeáil agus a úsáid. Mura bhfuil fáil ar na treoracha sa teanga sin, tugtar cuireadh don chóimeálai agus don úsáideoir teagmháil a dhéanamh lena ngníomhaire áitiúil nó iarratas a chur chuig [fallprotection@rothoblaas.com](mailto:fallprotection@rothoblaas.com).
- MT** L-assemblaġġ u l-użu tal-mezz ta' sigurtà huwa permess biss ladarba l-muntatur u l-utent ikunu qraw l-assemblaġġ oriġinali u l-istruzzjonijiet tal-utent oriġinali fil-lingwa nattivha tagħhom. Jekk ma jkunux disponibbli dawn il-lingwi, l-muntatur u l-utent huma mistiedna jikkuntattjaw lill-AGENT lokali tagħhom jew jibagħtu t-talba tagħhom lil [fallprotection@rothoblaas.com](mailto:fallprotection@rothoblaas.com).



# MANUAL FOR INSTALLATION AND USE

ITALIANO

DEUTSCH

ENGLISH

FRANÇAIS

ESPAÑOL

PORTUGUÊS

POCCИЯ

## SAFETY REGULATIONS

- Rothoblaas TOWER - TOWER22 - TOWERA2 is a fall arrest and restraint anchor device for inclined and flat timber, concrete and steel surfaces.
- Poor health (heart and circulation problems, assumption of medication, alcohol) may have negative influence on the safety of a person working at a height.
- Rothoblaas TOWER - TOWER22 - TOWERA2 must be installed only by skilled and expert workers who are fully acquainted with the fall prevention system at state of the art level. The system must be installed and used only by personnel that is familiar with these instructions for use and with the local safety regulations in force, that is physically and mentally healthy and that has received training in the use of 3rd category PPE (Personal Protective Equipment) against falls from roofs.
- Rescue plans must be put in place to solve any emergency situations that may arise during work execution.
- Before starting work, measures must be taken so as to prevent the falling of any kind of object. The area directly underneath the work site (e.g.: sidewalk, etc.) must be kept clear.
- No changes of any kind must be made to the anchor devices.
- Installers must make sure that the sub-base is suitable for anchor device fastening. In doubt, or in presence of other types of sub-bases not contained in this manual, a calculations expert should be called in.
- If any steps are not clear during the installation phase, get in touch with the manufacturer.
- Roof covering waterproofing must be well executed and in compliance with applicable directives.
- Stainless steel must not come in contact with steel grinding dust or steel tools in order to prevent corrosion.
- Prior to assembly, all stainless steel screws must be lubricated using a suitable lubricant.
- Workmanship level fastening of the safety system to the building structure must be documented via photographs taken of the installation conditions.
- At the point of access to the fall protection safety system, the positions of the anchor devices must be illustrated via drawings (e.g.: overhead view of the roof).
- When the roof safety system installation is left to external constructors, compliance with the instructions for installation and use must be agreed to in writing.
- Rothoblaas TOWER - TOWER22 - TOWERA2 has been conceived as an anchor device for people and must not be used for any other purpose other than the ones envisaged by its designers. Never hang undefined loads to the system.
- Attachment to Rothoblaas TOWER - TOWER22 - TOWERA2 must always be by means of the eyelet (AOS01) or directly to the cable (PATROL) always via a snap hook made to EN 362 and must be used with personal protective equipment as per EN 361 (full body harnesses) and EN 363 (Fall arrest systems), EN 355 (Energy absorbers) and EN 354 (Lanyards). Retractable type fall prevention

devices as per EN 360 may also be used.

- The combination of individual elements of the above mentioned devices may generate hazards, considering that the safe functioning of each device may be influenced by or may interfere negatively with the safe functioning of another (follow the instructions of the corresponding user manuals).
- Before use, carry out a visual inspection of the entire safety system in order to check for visible defects (e.g.: loose screws, warping, wear, corrosion, defects in roof weatherproofing, cable preloading, etc.).
- Only connecting elements suitable for edge resistance as per RfU 11.074 may be used. This applies also to retractable type fall arresters as to EN 360 (RU 11.060).
- Rothoblaas TOWER - TOWER22 - TOWERA2 may undergo plastic deformation when subjected to stress.
- When in doubt as regards safe use or when the device has triggered to arrest a fall, immediately stop using it and have the system checked by an expert (written report) and replace the device if required.
- It is essential that the anchor device be designed, positioned, installed and used in such a way that both the fall potential and the potential fall distance are reduced to a minimum or absent, and that any load direction is equivalent to the ones indicated below.
- When using a fall arrest device, it is essential to check on the PPE's user manual the vertical clearance under the user at the work level prior to any occasion of use, so that, in the event of a fall, the falling operator does not hit the ground or any other obstacle during the length of the fall.
- Manufacturer's recommendation: The anchor device should be inspected at least every 12 months (EN 365) by an expert. This inspection must be logged into the inspection register provided.
- The anchor device must be transported and stored correctly.
- The anchor device must be cleaned only with water and never with chemical agents or acids.
- Should the device be sold to operators abroad, it is of utmost importance that the purchaser be provided with the instructions for installation and use in the language of the purchaser.
- Extreme temperatures, sharp edges, chemical reactions, electric voltage, rubbing, cuts, weather agents, pendulum falls and any other extreme and unforeseeable factors, as well as specific environmental conditions or frequent use, may affect the functional operation and/or life span of the anchor device
- In normal working conditions, a 2 year warranty for manufacturing defects is provided. Should the device be used in especially corrosive atmospheric conditions, the duration of the warranty may be shorter. In the event of stress (fall, snow load, etc.) the guarantee does not cover the parts that have been designed to absorb energy and consequently have become deformed and must be replaced.

## USE

### Rothblaas TOWER - TOWER22 - TOWERA2

Homologated as a component for a type C system together with the **PATROL** (consult the specific manual) safety line along **EN 795/C:2012, CEN/TS 16415:2013 and UNI 11578/C:2015** for sloped and horizontal timber, concrete and steel surfaces for **4 persons** equipped with PPE as per EN 361 and with the following fall protection systems as per EN 363:

- Restraint and positioning systems (EN 358)
- Guided type fall arresters including a flexible anchor line (EN 353-2)
- Lanyards (EN 354) with energy absorber (EN 355)
- Retractable fall arrest devices (EN 360)

Homologated as a component for a type A system together with the **AOS01** (consult the specific manual) anchoring eyebolt along **EN 795/A:2012, CEN/TS 16415:2013 and UNI 11578/A:2015** for inclined and horizontal timber, concrete and steel surfaces for **4 persons** equipped with PPE as per EN 361 and with the following fall protection systems as per EN 363:

- Restraint and positioning systems (EN 358)
- Guided type fall arresters including a flexible anchor line (EN 353-2)
- Lanyards (EN 354) with energy absorber (EN 355)
- Retractable fall arrest devices (EN 360)

In order to ensure safe use, please follow the indications provided for each by the PPE manufacturer.

## REGULATIONS

The manufacturer declares that the product TOWER is in conformity with the standards **EN 795:2012 type A+C, CEN/TS 16415:2013**

Notified body, TÜV Süd Product Service GmbH, Ridlerstr.65, 80339 München (test report no.: 713033865-1 / 713033865-100-5) and **UNI 11578:2015 tipo A+C**.

The manufacturer declares that the product TOWER22 is in conformity with the standards **EN 795:2012 type A+C, CEN/TS 16415:2013** Notified body, TÜV Süd Product Service GmbH, Ridlerstr.65, 80339 München (test report no.: 713033865-2) and **UNI 11578:2015 tipo A+C**.

The manufacturer declares that the product TOWERA2 is in conformity with the standards **EN 795:2012 type A+C, CEN/TS 16415:2013** Notified body, TÜV Süd Product Service GmbH, Ridlerstr.65, 80339 München (test report no.: 713033865-3) and **UNI 11578:2015 tipo A+C**.

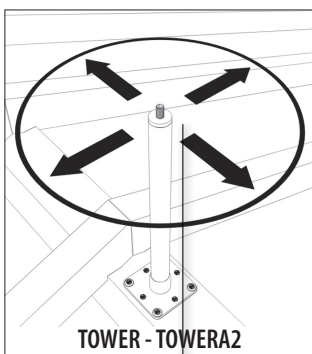
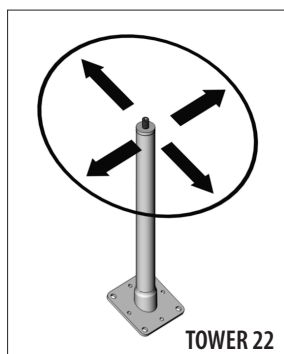
Rothblaas TOWER - TOWER22 - TOWERA2 is an anchor device made for inclined and flat timber, concrete and steel surfaces with or without insulation. The device has been tested at 360° (as illustrated below) on all related substrates.

## FUNCTION

Rothblaas TOWER - TOWER22 - TOWERA2 is an anchor device designed to be installed on a statically tested substrate (e.g.: bearing structure of roof) and is used as an anchor device for personal protective equipment.


## MATERIAL

Rothblaas TOWER - TOWER22 is made of S235JR hot dip steel. Rothblaas TOWERA2 is made of 1.4301 / AISI 304 stainless steel.



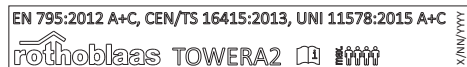
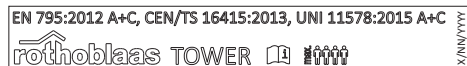
## SYMBOLS AND MARKINGS

The anchor device must bear the following information:

- Type: **Rothoblaas TOWER - TOWER22 - TOWERA2**
- Number(s) of relating standard(s):  
**EN 795:2012 A+C, CEN/TS 16415:2013 and UNI 11578:2015 A+C**
- Maximum number of users: **4 persons**
- Name or logo of manufacturer/distributor: **ROTHOBLAAS**
- Serial number and year of manufacture: **X/NN/YYYY (X=order number, NN=sequential number YYYY= year)**
- Symbol indicating need to consult instructions for use: 

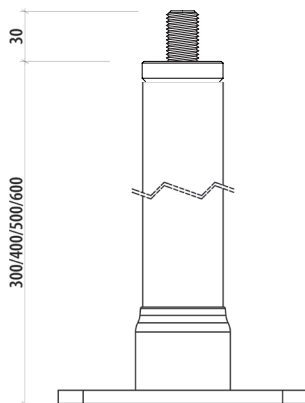
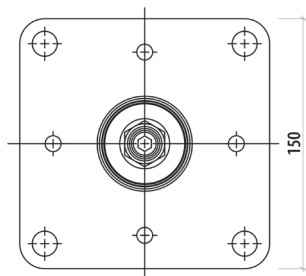
## DISTRIBUTION AND DEVELOPMENT

Rotho Blaas srl - Via dell'Adige 2/1 - 39040 Cortaccia (BZ)  
www.rothoblaas.com

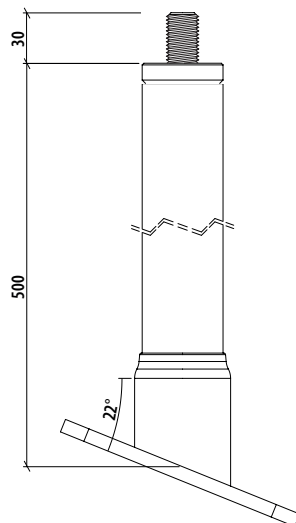
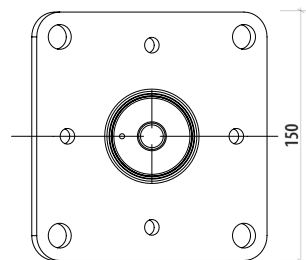


## DIMENSIONS

### TOWER - TOWER A2



### TOWER 22





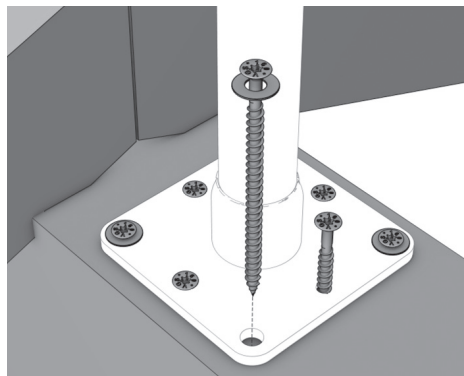
## INSTALLATION ON TIMBER STRUCTURE

**Minimum beam size: 160x160 mm –min. quality GL24h (as per EN14080)**

Indispensable premise is a statically stable substructure. If in doubt, consult a calculation expert.

**Screws required for fastening the device to the structure:**  
**1 set BEF201VGS containing 8 wood screws type VGS Ø 9 mm, 160 mm long and 4 washers**

This set is available at: Rothoblaas srl –Via Dell'Adige 2/1 – 39040 Cortaccia (BZ) – [www.rothoblaas.com](http://www.rothoblaas.com)



**The minimum penetration depth of the fastening screws into the wood bearing structure must be equal to 145 mm.**

Always position Rothoblaas TOWER - TOWER22 - TOWERA2 at the center of the beam.

Fasten using 1 BEF201VGS fastening set, making sure to use the washers together with the screws for corner holes.

Install the screws as shown in the illustration above.

Alternative fastening devices:

- TOWERSLOPE (for TOWER22)
- TOWERPEAK (for TOWER 300/400/500/600)

**WARNING:** Follow the corresponding assembly procedure closely!

## INSTALLATION ON CONCRETE STRUCTURE

**Min. quality: C 20/25**

Indispensable premise is a statically stable substructure. If in doubt, consult a calculation expert.

**HEAVY METAL ANCHOR:**

**For cracked and uncracked concrete**

**4 pieces FE210440 (12 x 103 mm) or longer**

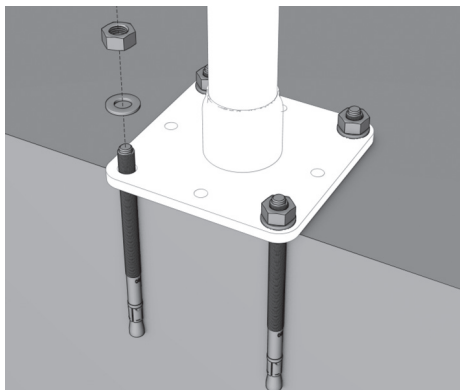
These heavy metal anchors are available at:

Rothoblaas srl - Via dell'Adige 2/1 - 39040 Cortaccia (BZ) - [www.rothoblaas.com](http://www.rothoblaas.com)

Indications as per manufacturer's worksheet:

- **Hole diameter: 12 mm**
- **Min. hole depth: 90 mm**
- **Min. distance from edge: 105 mm**
- **Min. concrete thickness: 140 mm**
- **Tightening torque: 50 Nm**

**WARNING:** Closely follow the original instructions of the fastener manufacturer!



## INSTALLATION ON STEEL STRUCTURE

**Min. steel quality: S235JR**

Indispensable premise is a statically stable substructure. If in doubt, consult a calculation expert.

**4x M12 stainless steel bolts with self-locking nut**

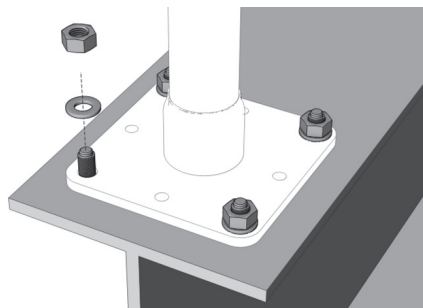
**Min. steel structure thickness: 6 mm**

**Hole diameter: 12.5 mm**

**Min. distance from edge: 20 mm**

According to the roof structure, different fastening bolt lengths are required. Use only **M12** stainless steel bolts and nuts to comply with correct installation instructions (bolt thread protruding min. 2 mm from nut!)

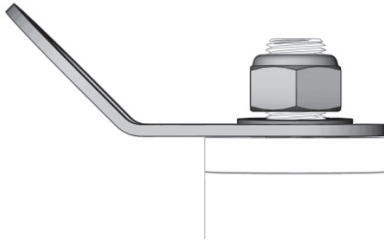
These materials are available at: Rothoblaas srl –Via Dell'Adige 2/1 – 39040 Cortaccia (BZ) – [www.rothoblaas.com](http://www.rothoblaas.com)



## INSTALLATION

After having installed the TOWER - TOWER22 - TOWERA2 support correctly, it is then possible to proceed with the fastening of the PATROLTERM, PATROLINT, PATROLMED and PATROLANG supports or of the AOS01 swivelling eyebolt.

Fasten the elements to the threaded end of the TOWER - TOWER22 - TOWERA2 support using the self-locking nut and washer provided, making sure that the thread protrudes from the nut at least 2 mm and that the element turns easily.



**Correct installation of rotating eyebolt AOS01 on TOWER - TOWER22 - TOWERA2 support**



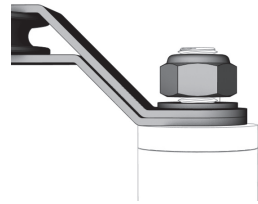
**Correct installation of PATROLTERM on TOWER - TOWER22 - TOWERA2 support**



**Correct installation of PATROLMED on TOWER - TOWER22 - TOWERA2 support**



**Correct installation of PATROLINT on TOWER - TOWER22 - TOWERA2 support**



**Correct installation of PATROLANG on TOWER - TOWER22 - TOWERA2 support**

# STATEMENT OF CORRECT INSTALLATION OF FALL PROTECTION DEVICES

With regard to the installation of the anchor devices for protection against falls installed on the building located in:

Address: \_\_\_\_\_ No.: \_\_\_\_\_

City: \_\_\_\_\_ Postal Code: \_\_\_\_\_ Prov.: \_\_\_\_\_

## The undersigned:

First name: \_\_\_\_\_ Last name: \_\_\_\_\_

Legal representative of the company: \_\_\_\_\_

Address of head office: \_\_\_\_\_ No.: \_\_\_\_\_

City: \_\_\_\_\_ Postal Code: \_\_\_\_\_ Prov.: \_\_\_\_\_

## Declares that the devices

EN 795	Quantity	Model	Manufacturer	Serial No./Year
Type A	<input type="checkbox"/>	_____	_____	_____
Type C	<input type="checkbox"/>	_____	_____	_____
Type D	<input type="checkbox"/>	_____	_____	_____
Type E	<input type="checkbox"/>	_____	_____	_____

Fastening element	Sub-base size/quality	Installation depth [mm]	Ø Hole [mm]	Tightening torque [Nm]

**have been correctly installed as per the indications of the manufacturer and as per the provisions of standard EN 795**

The anchor devices have been positioned on the roof as per the attached plan prepared by:

**Architect/Engineer/Surveyor** \_\_\_\_\_

according to the instructions provided in the calculation report prepared by:

**Architect/Engineer/Surveyor** \_\_\_\_\_

## The characteristics of the anchor device(s), the instructions regarding their correct use, the inspection sheets have been filed with:

- the owner of the building
- the building manager

## The notice-plate for fall protection systems is posted:

- Near every roof access point
- \_\_\_\_\_



**Date of first system start-up:** \_\_\_\_\_ **Date of first inspection:** \_\_\_\_\_

**Date:** \_\_\_\_\_ **The Installer (stamp and signature):** \_\_\_\_\_

The owner shall keep the equipment installed in good working condition in order to maintain the necessary solidity and resistance in time. Maintenance shall be performed by qualified personnel and carried out according to the procedures and time schedules indicated by the manufacturer.

ITALIANO

DEUTSCH

ENGLISH

FRANÇAIS

ESPAÑOL

PORTUGUÊS

POCCIA

# INSPECTION REPORT

**MANUFACTURER:** Rotho Blaas srl - Via Dell'Adige 2/1 - 39040 Cortaccia (BZ) www.rothoblaas.com  
Tel: +39 0471818400 - Fax: +39 0471 818484 - e-mail: info@rothoblaas.com

ITALIANO

**PROJECT**

DEUTSCH

**PRODUCT**

**SERIAL No./YEAR**

ENGLISH

**DATE OF PURCHASE:**

**DATE OF FIRST USE:**

FRANÇAIS

**PERIODIC SYSTEM INSPECTION PERFORMED ON:**

ESPAÑOL

**POINTS TO BE CHECKED**

**DEFECT FOUND**

(Defect description/ Measures taken)

**DOCUMENTATION**

Instructions for assembly and use

Statement of correct installation

Reports on fastening elements

Photo gallery

PORTUGUÊS

**VISIBLE PARTS OF THE ANCHOR DEVICE**

No warping

No corrosion

Screw connections tight

Stability

Marking readable

РУССКИЙ

**ROOF WATERPROOFING**

No damage

No corrosion

## Inspection result:

The safety installation is compliant with the manufacturer's instructions for assembly and use and with the state of the art. It is hereby confirmed that the installation is reliable in terms of safety.

Remarks:

Expected date of next inspection: \_\_\_\_\_

**Name and signature of the expert who is familiar with the safety system:**

**Name:** \_\_\_\_\_ **Signature:** \_\_\_\_\_



---

---

---

---

---

---

---

---

---

---

---

---

---

---

---

---

---

---

---

---

---

---

---



---

---

---

---

---

---

---

---

---

---

---

---

---

---

---

---

---

---

---

---

---

---

---

---



A series of 20 horizontal lines spaced evenly down the page, providing a template for handwriting practice.

**IT** Tutte le informazioni riportate nel presente documento sono da ritenersi indicative e si riferiscono allo stato attuale. Rothoblaas non risponderà per errori di stampa, di comprensione, di interpretazione ecc. e non si reputa responsabile per modifiche o sviluppi futuri per esempio di natura normativa, legislativa ecc.

**DE** Alle in diesem Dokument wiedergegebenen Informationen und Abbildungen sind als indikativ zu betrachten und beziehen sich auf den aktuellen Stand der Technik. Rothoblaas übernimmt keine Haftung für etwaige Fehler bei Druck, Verständnis, Auslegung usw. und betrachtet sich nicht als verantwortlich für zukünftige Änderungen und Entwicklungen z.B. normativer, gesetzgebender usw. Natur.

**EN** All of the information given in this document is solely indicative and refers to the current state. Rothoblaas shall not be held responsible for any printing errors, incomprehension, incorrect interpretation, etc. therein or thereof and is not liable for any changes or future developments in relating standards, laws, etc..

**FR** Toutes les informations contenues dans le document présent doivent être considérées comme indicatives et se réfèrent à l'état actuel. Rothoblaas ne répondra pas pour des erreurs d'impression, compréhension, interprétation, etc. et elle ne se considérera pas responsable de modifications ou développements futurs de nature réglementaire, législative, etc.

**ES** Todas las informaciones contenidas en el presente documento deben considerarse indicativas y se refieren al estado actual. Rothoblaas no responderá por errores de impresión, comprensión, interpretación etc. y no se hace responsable por modificaciones o desarrollos futuros, por ejemplo, de naturaleza normativa, legislativa etc.

**PT** Todas as informações constantes do presente documento devem ser consideradas indicativas e referem-se às condições atuais. Rothoblaas não se responsabiliza por erros de imprensa, de compreensão, de interpretação etc. nem por alterações ou futuros eventos tais como de natureza normativa, legislativa etc.

**РУ** Вся информация, приводимая в настоящем документе, носит ознакомительный характер и приурочена к определённой дате. Rothoblaas не несёт ответственности за опечатки, правильное понимание, интерпретацию и т.д., а также не несёт ответственность за возможную модернизацию и последующие поправки к нормативным актам или законодательству

TESTO DI RIFERIMENTO ORIGINALE: **TEDESCO**  
ORIGINAL REFERENZTEXT: **DEUTSCH**  
REFERENCE TEXT ORIGINAL: **GERMAN**  
TEXTE DE REFERENCE D'ORIGINE: **ALLEMANDE**  
TEXTO ORIGINAL DE REFERENCIA: **ALEMÀN**  
TEXTO DE REFERÊNCIA ORIGINAL: **ALEMÃO**  
ТЕКСТ ССЫЛКИ ОРИГИНАЛЬНОГО **НЕМЕЦКОГО**

manual rev: 2.0\_030715

product label